

All the cable trays of 300 mm and above shall be ALUMINIUM Ladder Type with the web height of 85 mm, thickness of sheet 2mm, complete with jointing accessories and supports etc. Cable trays of size 100 mm and 200 mm shall be of Basket Type or Perforated Type, complete with accessories and supports. There must be equidistant fastening of each tray joint. Consider the cover tray on all the exposed area and trays installed with machines. Make Reputed.

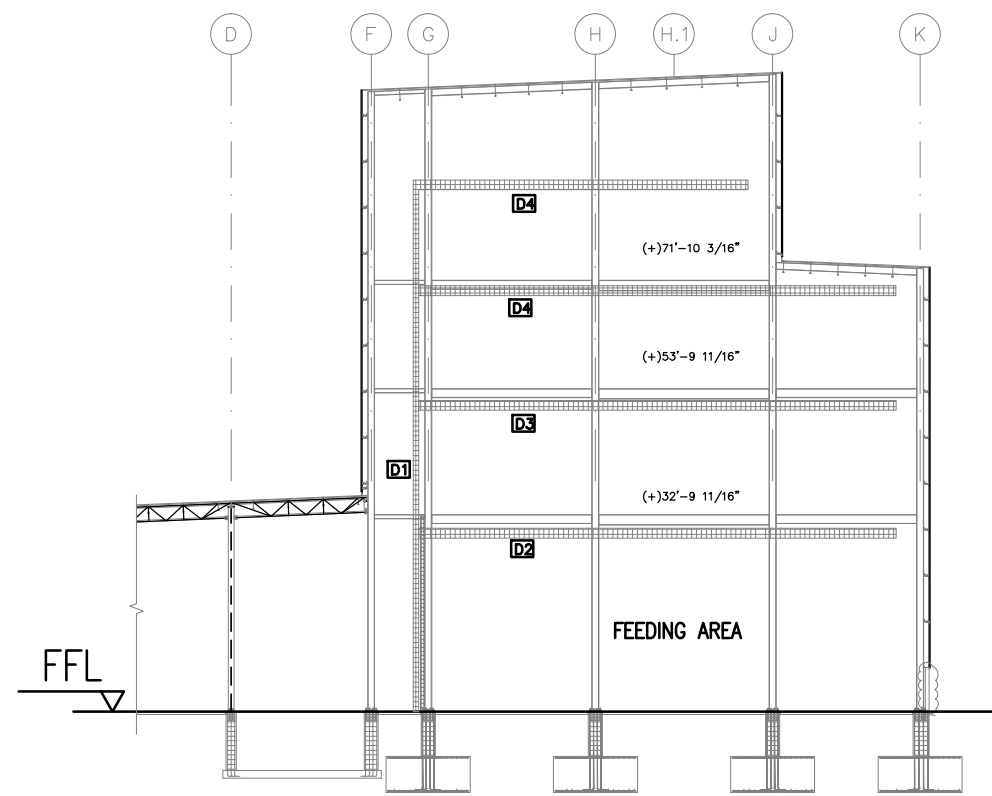
AREA	Area Wire SYMBOL	Length of cable Trays in MTR (Of Different width)					
		100 mm	8"	12"	18"	24"	30"
EXTRUSION AREA	E1	10					
	E2		3	3		20	
	E3		12				
	E4	11			22		
	E5	9			9	9	
	E6	4	4		4		
	E7	2			2		2
MDO AREA	M1	11			22		
	M2		47				47
	M3		36				
	M4		45	45			
TDO AREA	T1		23				46
	T2			106			106
	T3	30		30			
	T4			25	25		
	T5		12	25	12	12	
	T6					10	30
PRS AREA	P1	5	10				
	P2		8	8	8		
WINDER AREA	W1		18				70
	W2		35				
RECYCLING AREA	R1			27			
	R2		35	35			
SUBSTATION AREA	S1			240	240		720
	S2						180
	S3			60			60
	D1			30			60
	D2			30			30
	D3		30		30		
DRYER AREA	D4			72			
	D5		45				
	PM1		117				105
	PM2		60				
PACKING & METALLIZER AREA	PM3		30				
	PM4		30	26			
	SL1		418				
SILOS AREA	SL2		250	200	160	160	60
	SL3		250	200	160	160	60
Total Tray (Meter)		1000	890	551	815	764	1163
% of Cable Tray that Require a Cover		50%	50%	50%	20%	10%	10%

CABLE TRAY SIZE AND LENGTH
SCALE: NS

CABLE TRAY LAYOUT B
SCALE: 1"=1/16"

SHEET NOTES:

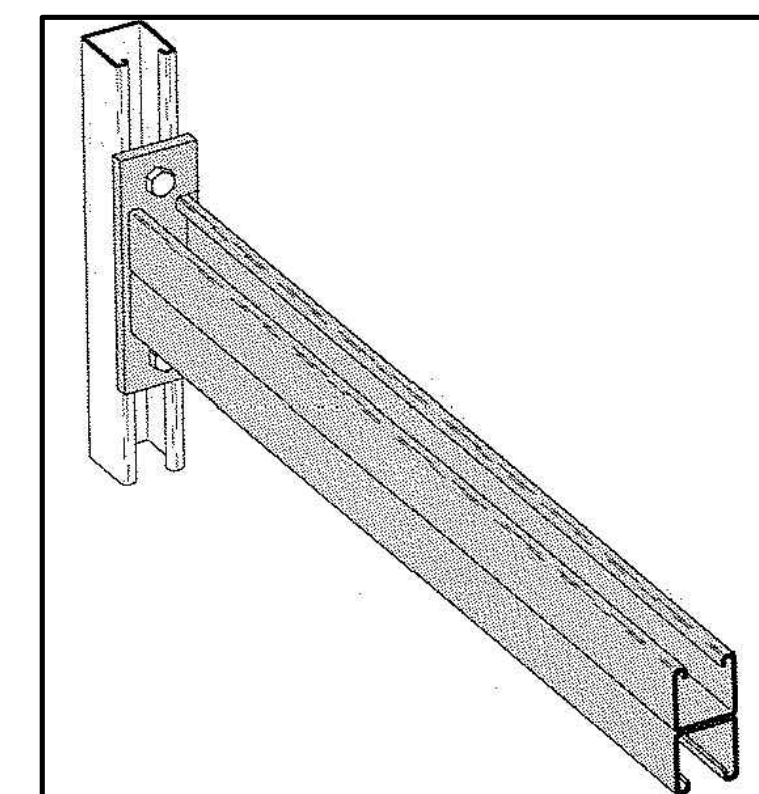
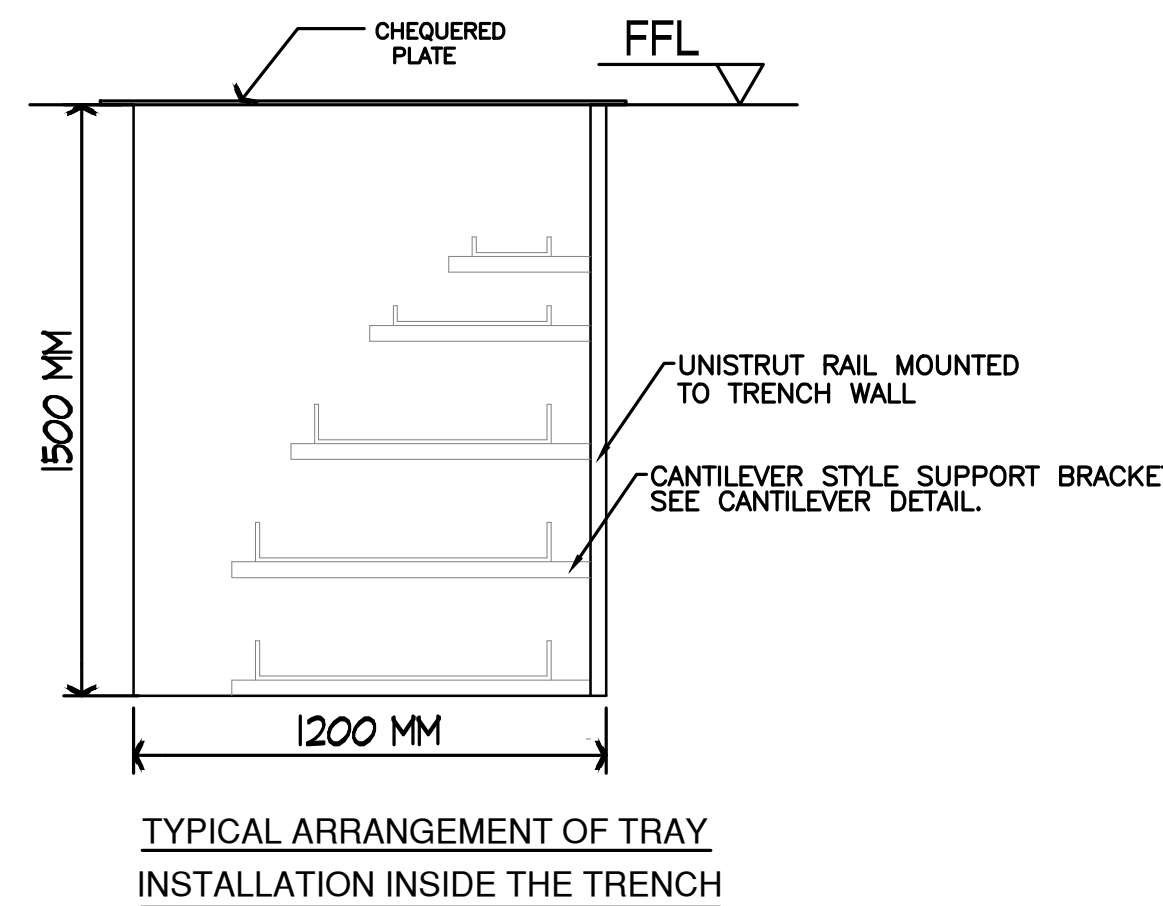
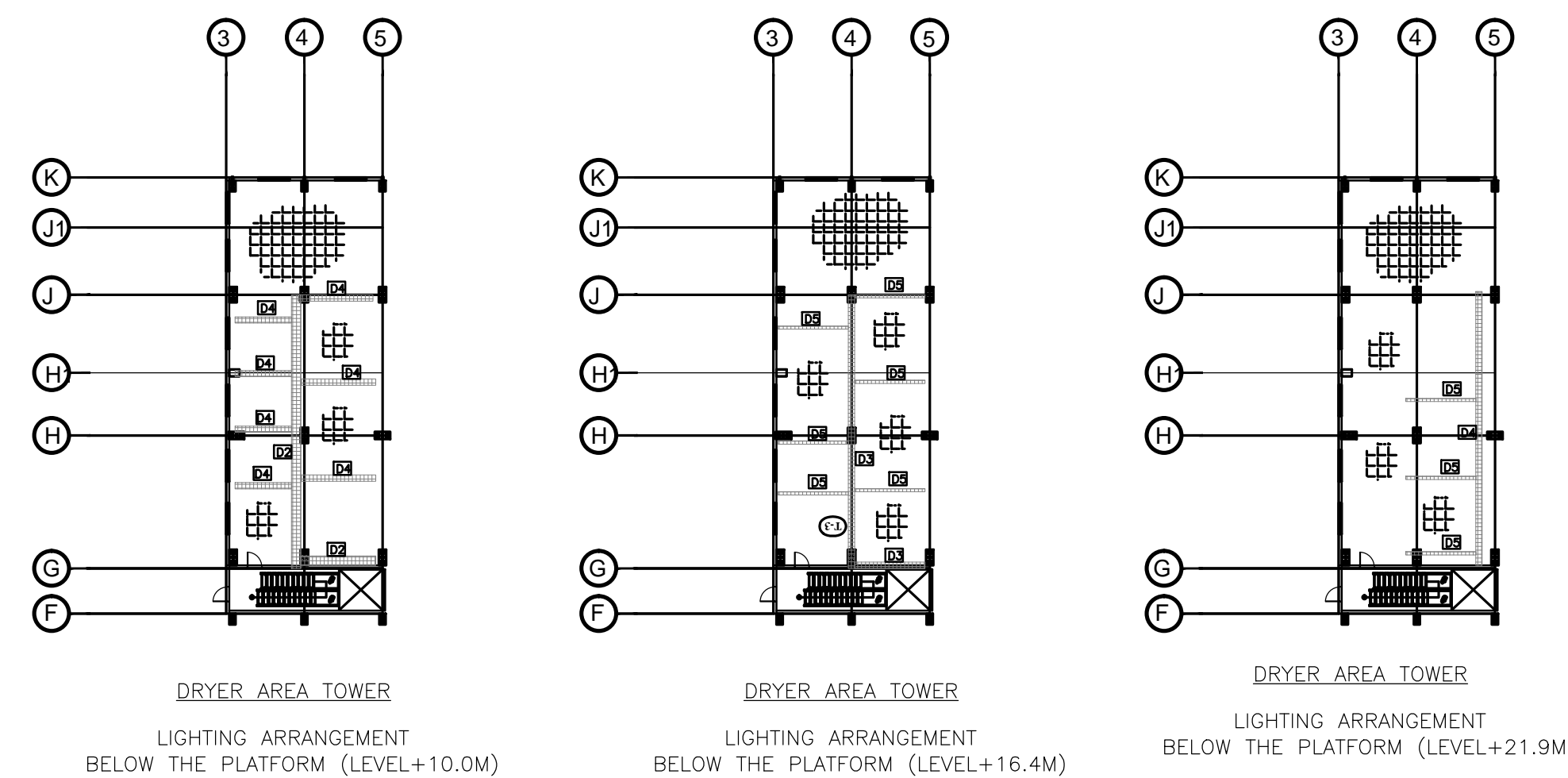
- ROUTE CABLE THROUGH 2" CONDUIT AND OVERHEAD TO CONVEYOR SLITTER PANEL. SEE DETAIL A FOR CABLE TRAY TO CONDUIT CONNECTION.
- ROUTE CABLE THROUGH MANHOLE INTO 4" UNDERLAP CONDUIT. SEE DETAIL A FOR CABLE TRAY TO CONDUIT CONNECTION.
- ROUTE CABLE THROUGH 2-3" CONDUITS OVERHEAD TO SMDB-3. SEE DETAIL A FOR CABLE TRAY TO CONDUIT CONNECTION.
- TRAY TO BE A MINIMUM OF 30" WIDTH TO ACCOMMODATE POWER CABLES. SEE DETAIL A FOR CABLE TRAY TO CONDUIT CONNECTION. USE TRAPEZOID STYLE MOUNTING FOR THIS SECTION OF TRAY.
- METALLIZER PUMP CONNECTION. ROUTE CONDUIT OVERHEAD FROM TRAY.
- PROVIDED MINIMUM 1250A DISCONNECT FOR METALLIZER PANEL.
- TERMINATE AT DISCONNECT. PULL COPPER CONDUCTORS FROM DISCONNECT THROUGH UNDERLAP CONDUIT TO SLITTER MACHINE. COORDINATE CONNECTION WITH OWNER.
- ROUTE 2.5" CONDUIT OVERHEAD TO EDGE TRIM GRINDER. CONNECT TO TRAY WITH DETAIL B ON SHEET E-011A.



TOWER PLATFORM

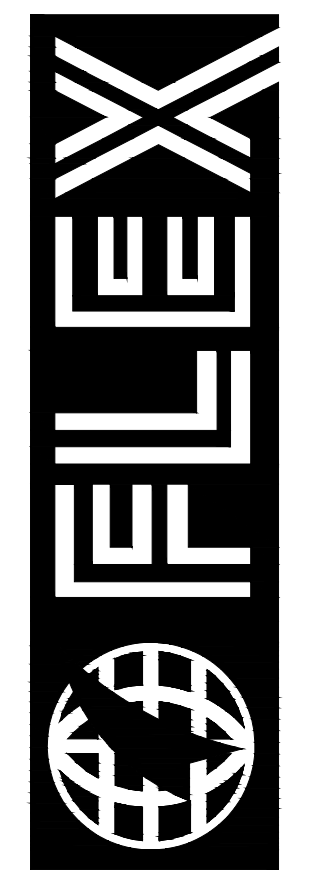
GENERAL NOTES:

- MULTICONDUCTOR CABLES 4/0 AND LARGER MUST BE PLACED IN A SINGLE LAYER.
- VERTICAL TRAY RIMS MUST BE COVERED.
- WIRING IN TRAY TO BE TYPE TC, XHHW, COPPER.
- WIRING SMALLER THAN 4/0 MUST BE SEPARATED BY A DIVIDER IN THE CABLE TRAY.



CANTILEVER DETAIL

TYPICAL ARRANGEMENT OF TRAY INSTALLATION INSIDE THE TRENCH



FLEXFILMS, U.S.A., LLC
1221 NORTH BLACK BRANCH ROAD
ELIZABETHTOWN, KENTUCKY 42702
PROJECT L-12 BOPET U.S.A.

DATE	REVISION	BY
JULY 11	VALUE ENGINEERING RE-DESIGN DOCUMENT	

PROJECT NO. 8529-02
DESIGNED BY LIE
DRAWN BY LIE
CHECKED BY SHT
REVIEWED BY SHT
DATE JULY 2011
SCALE AS NOTED

nse OF KENTUCKY, INC.
Engineers
Architects
Planners
624 Wellington Way
Lexington, KY 40503
Phone: (859)223-5854
Fax: (859)223-2607
www.nseinc.com

DRAWING NO.

UFL-L12 E-011B

